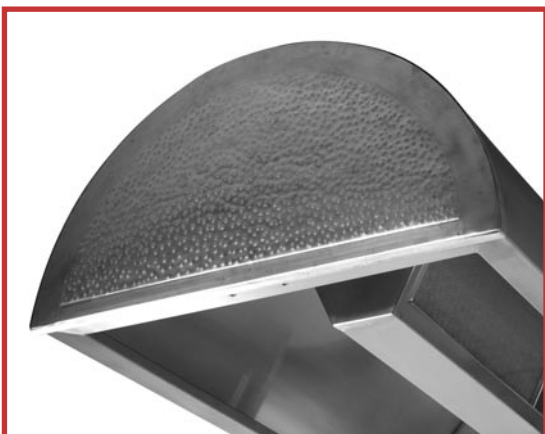
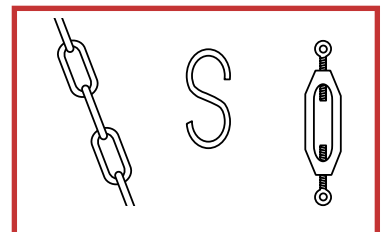


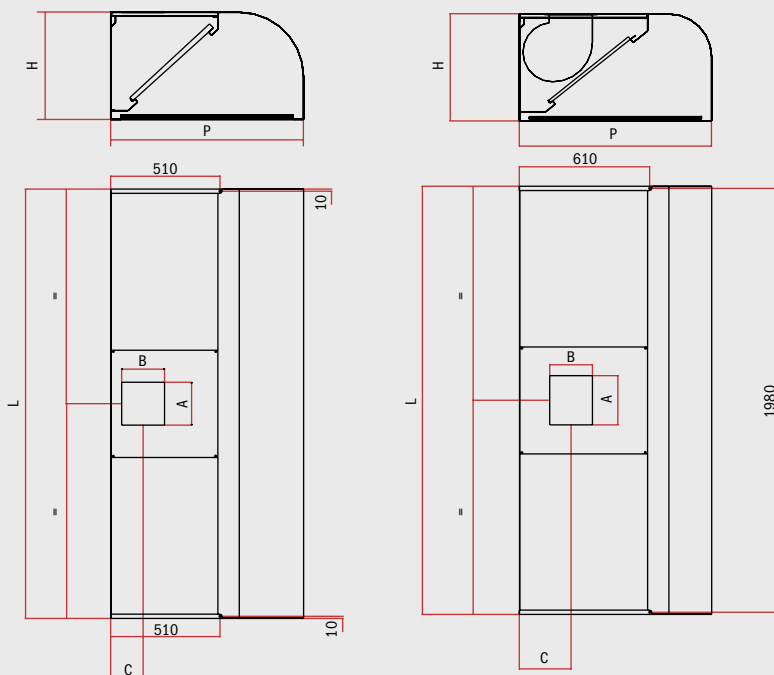
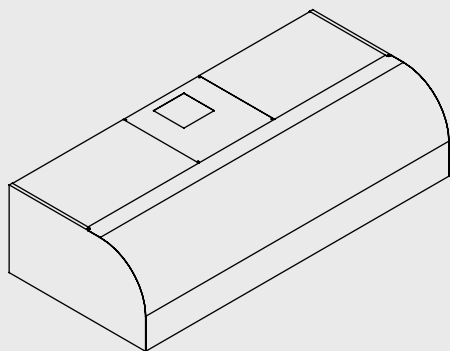


### ACCESORII



Capac lateral placat în cupru





02

Model	A x L x Î mm	filtre n°	găuri n°	A mm	B mm	C mm	mot.	Watt/Amp
<b>CPT9</b>								
CPT 9/10	900X1000X500	2c	1	250	250	200		
CPT 9/12	900X1200X500	2d	1	250	250	200		
CPT 9/14	900X1400X500	3c	1	250	250	200		
CPT 9/16	900X1600X500	3c	1	300	300	200		
CPT 9/18	900X1800X500	3d	1	300	300	200		
CPT 9/20	900X2000X500	4c	1	300	300	200		
<b>CPTM9</b>								
CPTM 9/10	900X1000X500	2c	1	230	200	245	1	300/2,5
CPTM 9/12	900X1200X500	2d	1	230	200	245	1	300/2,5
CPTM 9/14	900X1400X500	3c	1	230	200	245	1	300/2,5
CPTM 9/16	900X1600X500	3c	1	300	270	215	1	373/3,8
CPTM 9/18	900X1800X500	3d	1	300	270	215	1	373/3,8
CPTM 9/20	900X2000X500	4c	1	300	270	215	1	373/3,8

Model



capac lateral placat în cupru

Filtre: a (400x400) - b (50 x400) - c (400x500) - d (500x500)